

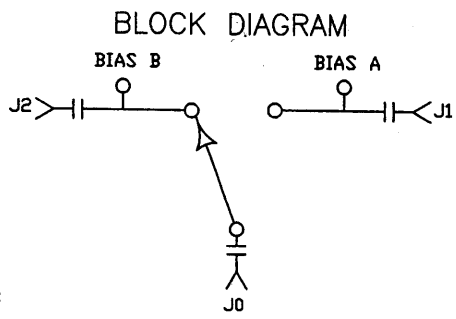
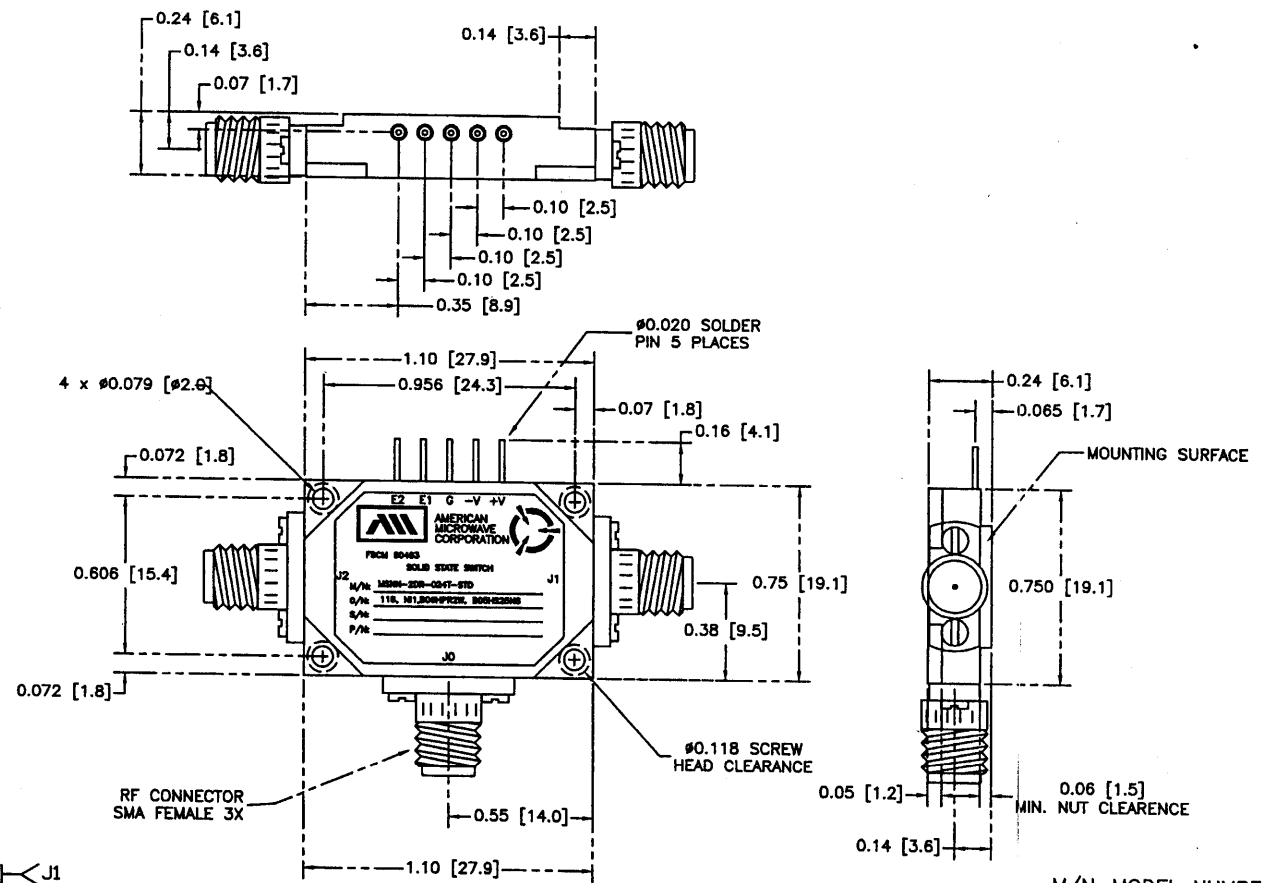
REVISIONS				
ZONE	REV.	DESCRIPTION	DATE	APPROVED
		ORIGINAL JOB# 001001-3	2/4/00	

**DESCRIPTION:**

AMC MODEL MSNN-2DR-024T-STANDARD, OPTION 118, NI1, B06HPR2W, B05HS25NS IS A SINGLE POLE TWO THROW REFLECTIVE SWITCH MODULE, WITH VERY LOW INSERTION LOSS, HIGH ISOLATION, HIGH POWER (1 WATT) AND WITH HIGH SPEED (25 nS) INTEGRAL TTL DRIVER, DESIGNED FOR 1 GHz TO 18 GHz OPERATION.

**SPECIFICATIONS:**

- FREQUENCY: 1.0-18.0 GHz
- INSERTION LOSS: 1.1dB @ 1.0-4.0 GHz MAXIMUM  
1.4dB @ 4.0-8.0 GHz MAXIMUM  
2.0dB @ 8.0-12.4 GHz MAXIMUM  
2.5dB @ 12.4-18 GHz MAXIMUM
- ISOLATION: 60dB @ 1.0-4.0, 4.0-8.0 GHz MINIMUM  
60dB @ 8.0-12.4 GHz MINIMUM  
50dB @ 12.4-18.0 GHz MINIMUM
- VSWR: 1.75 @ 1.0-4.0, 4.0-8.0 GHz MAXIMUM  
1.75 @ 8.0-12.4 GHz MAXIMUM  
2.0 @ 12.4-18.0 GHz MAXIMUM
- SWITCHING SPEED: RISE TIME: 10nsec MAXIMUM  
FALL TIME: 10nsec MAXIMUM  
ON TIME: 25nsec MAXIMUM  
OFF TIME: 20nsec MAXIMUM
- SURVIVAL POWER: 1 WATT AVG, 75 WATTS PEAK
- POWER SUPPLY: +5V +/- 5% @ 80 mA  
-12V @ 50mA
- CONTROL INPUT IMPEDANCE: TTL ADVANCED, SCHOTTKY, ONE UNIT LOAD
- CONTROL LOGIC: "0"=ON @ -0.3V TO +0.8V  
"1"=OFF @ +2.0V TO +5.0V
- CONNECTOR: SMA FEMALE



M/N=MODEL NUMBER  
O/N=OPTION NUMBER  
S/N=SERIAL NUMBER  
P/N=PART NUMBER

NOTE:  
DR=WITH DRIVER, REFLECTIVE  
DT=WITH DRIVER, NON-REFLECTIVE/ABSORPTIVE

**ENVIRONMENTAL RATINGS:**

- TEMPERATURE: -55°C TO +85°C (OPERATING)  
-65°C TO +125°C (STORAGE)
- HUMIDITY: MIL-STD-202F, METHOD 103B COND. B
- SHOCK: MIL-STD-202F, METHOD 213B COND. B
- VIBRATION: MIL-STD-202F, METHOD 204D COND. B
- ALTITUDE: MIL-STD-202F, METHOD 105C COND. B
- TEMPERATURE CYCLE: MIL-STD-202F, METHOD 107D COND. A

ALL DIMENSIONS ARE IN INCHES  
TOLERANCES:  
X.XX ±0.020  
X.XXX ±0.010

NOTE: THE ABOVE SPECIFICATIONS ARE SUBJECT TO CHANGE OR REVISION

APPROVALS		DATE	AMERICAN MICROWAVE CORPORATION FREDERICK, MARYLAND		
DRAWN <i>RAB</i>		2/4/00	TITLE PRODUCT FEATURE MSNN-2DR-024T-STANDARD OPTION 118, NI1, B06HPR2W, B05HS25NS		
CHECKED <i>WJ</i>		2/19/00	SIZE	FSCM NO.	DWG NO.
ISSUED			A	60483	100-5284
			SCALE		REV.
					1 of 3